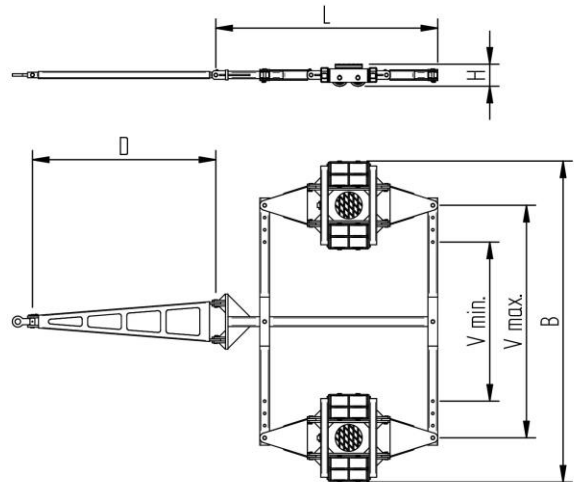
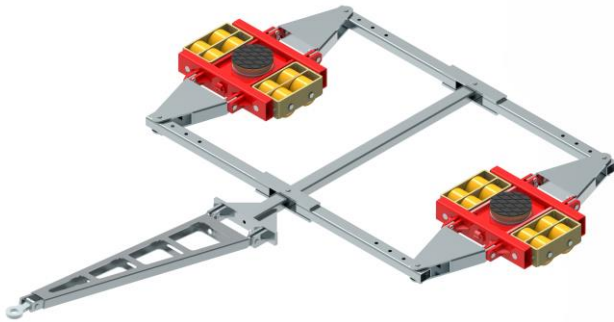


# Fact sheet **ECO-Skate X32D**

Load moving system, steerable, 4-load points

# HTS



## Specification:

Heavy-duty load moving system for the professional indoor heavy load transport on clean, smooth and level floors, incl. alignment bars, pulling bar with pulling eye, turntable with anti-slip rubber pad and high-quality HTS 3-component polyurethane wheels, which are abrasion-resistant, cut-resistant and non-marking and suitable for all smooth and level floors with slight unevenness. In combination with a S, DUO or two ROTO trolleys with the same installation height, these trolleys form a complete system with 4 load points. Please note the steering angle of max. 45°. If the steering angle of the skate system is fully utilized, there must be no additional steering angle of the traction unit (see operating instructions).

## Technical data of load moving system:

# 10 320 02 30	Ø 220 mm	19,3 x 78 = 1506 mm <sup>2</sup> ▼ 13,0 MPa
MAT PU, AL, 93 Shore A	L x B x H 1847 x 2624 x 180 mm	240,9 cm <sup>2</sup>
2 x 16000 daN	D = 1620 mm V = 1300 - 1900 mm	1600 daN*
2 x 8	399 kg	960 daN*

## Equipped with the following wheel:

# 11 140 00 25	19,3 x 78 = 1506 mm <sup>2</sup> ▼ 13,0 MPa
MAT PU, AL, 93 Shore A	2000 daN
Ø140x86 - Ø30 mm	V <sub>max</sub> = 2 km/h



**Please always observe the operating instructions, their safety instructions and local conditions!**

# Part No.	# Number of wheels	Ø Load Area in mm	Area mm <sup>2</sup> of the roller surface pressure ▼ N / mm <sup>2</sup>	→ Traction* in daN, required force to move the load at a steady speed of 2 km/h under ideal conditions
MAT Wheel material layer, core: AL Aluminium, NY Nylon PU Polyurethane, ST Steel	Dimensions of wheel, inside ball bearing diameter mm	Dimensions in mm L x B x H	Loaded area per skate in cm <sup>2</sup>	
Carrying Capacity of load moving skate in daN at 2km/h max.	Weight kg	Steering bar length D for L, adjustability V for S and DUO skate systems	Starting resistance* in daN, required force to start moving, under ideal conditions	* Varies depending on the tolerances of the floor and ambient situation. All information without guarantee.